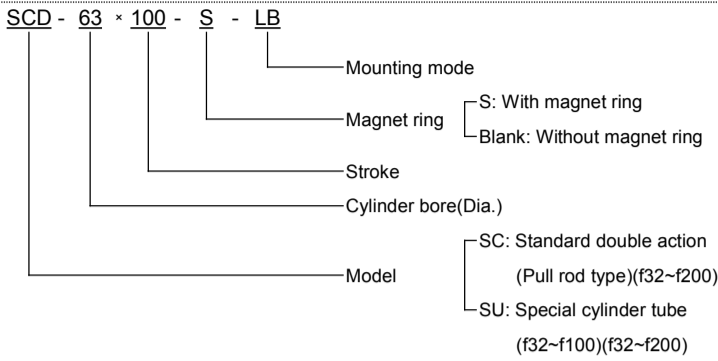


## Model and Description



## Specification

Bore Dia.(mm)	32	40	50	63	80	100	125	160	200
Working medium	Air								
Action	Double action								
Mounting mode	None: 	FA: 	LB: 	TC 	TC-M 				
Proof pressure	1.5Mpa								
Working pressure	0.1~0.9Mpa								
Working temperature	0~60℃								
Working speed	50~800mm/s					50~500mm/s			
Buffer	Adjustable buffer								
Buffer stroke	24mm					32mm			
Port size Rc(PT)	PT1/8		PT1/4		PT3/8		PT1/2		PT3/4
Symbol	SCD 				SCD-S 				

## Stroke

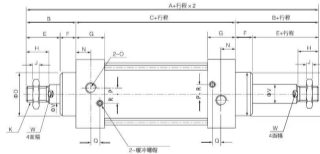
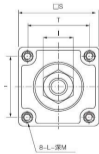
Bore(Dia.)	Standard stroke	Max stroke	Stroke tolerance
32	25 50 75 80 100 125 150 160 175 200	200	300
40	25 50 75 80 100 125 150 160 175 200	200	300
50	25 50 75 80 100 125 150 160 175 200	200	300
63	25 50 75 80 100 125 150 160 175 200	200	300
80	25 50 75 80 100 125 150 160 175 200 250 300	300	400
100	25 50 75 80 100 125 150 160 175 200 250 300	300	400
125	25 50 75 80 100 125 150 160 175 200 250 300 350 400 450 500 600	800	1000
160	25 50 75 80 100 125 150 160 175 200 250 300 350 400 450 500 600 700 800 900 1000	1000	1500
200	25 50 75 80 100 125 150 160 175 200 250 300 350 400 450 500 600 700 800 900 1000	1000	1500

## Internal structure(Without magnet ring)

No.	Part name	Material	No.	Part name	Material
5	Protection board		13	Cylinder block	32-160: AL alloy 160-200:Low-carbon steel
6	Rod cover	32-125: AL alloy 160-200: Cast iron	14	Buffer seal washer	NBR
7	Buffer washer	NBR	15	Buffer adjusting screw	Copper
8	Rod cover washer	NBR	16	Pull rod nut	Low-carbon steel
9	Connecting bolt	Medium-carbon steel	17	Pull rod	Low-carbon steel
10	Piston seal washer	NBR	18	Piston rod seal washer	NBR
11	Piston	32-125: AL alloy 160-200: Cast iron			
12	Wearing ring	F4Cu			
1	Piston rod	Medium-carbon steel(Hard chrome plated and polished)			
2	Nut				
3	Rod seal	NBR			
4	Oil bearing	Oil bearing powder metallurgy copper			

## Dimensions(mm)

Φ32~Φ200



Bore(Dia.)	A	B	C	D	E	F	G	H	I	J	K	L	M	N	O	P	Q	R	S	T	V	W
32mm	187	47	93	28	32	15	27.5	22	17	6	M10×1.25	M6×1	9.5	14	G1/8 "	4.5	7	6	45	33	12	10
40mm	191	49	93	32	34	15	27.5	24	17	7	M12×1.25	M6×1	9.5	14	G1/4 "	6	7	8.5	50	37	16	14
50mm	207	57	93	38	42	15	27.5	32	23	8	M16×1.25	M6×1	9.5	14	G1/4 "	7	7	8.5	62	47	20	17
63mm	210	57	96	38	42	15	27.5	32	23	8	M16×1.25	M8×1.25	9.5	14	G3/8 "	7	7	8.5	75	56	20	17
80mm	258	75	108	47	54	21	33	40	26	10	M20×1.25	M10×1.25	11.5	17	G3/8 "	10.5	9	14.5	94	70	25	22
100mm	264	75	114	47	54	21	33	40	26	10	M20×1.25	M10×1.25	11.5	17	G1/2 "	10.5	9.5	14.5	112	84	25	22
125mm	383	119	145	60	87	32	40	54	41	13.5	M27×2	M12×1.75	15	20.5	G1/2 "	11	11	14.5	140	110	32	27
160mm	484	152	180	65	104	48	45	72	55	18	M36×2	M16×2	20	25	G3/4 "	-	-	-	180	140	40	36
200mm	514	167	180	75	117	50	50	72	55	18	M36×2	M16×2	20	25	G3/4 "	-	-	-	220	175	40	36