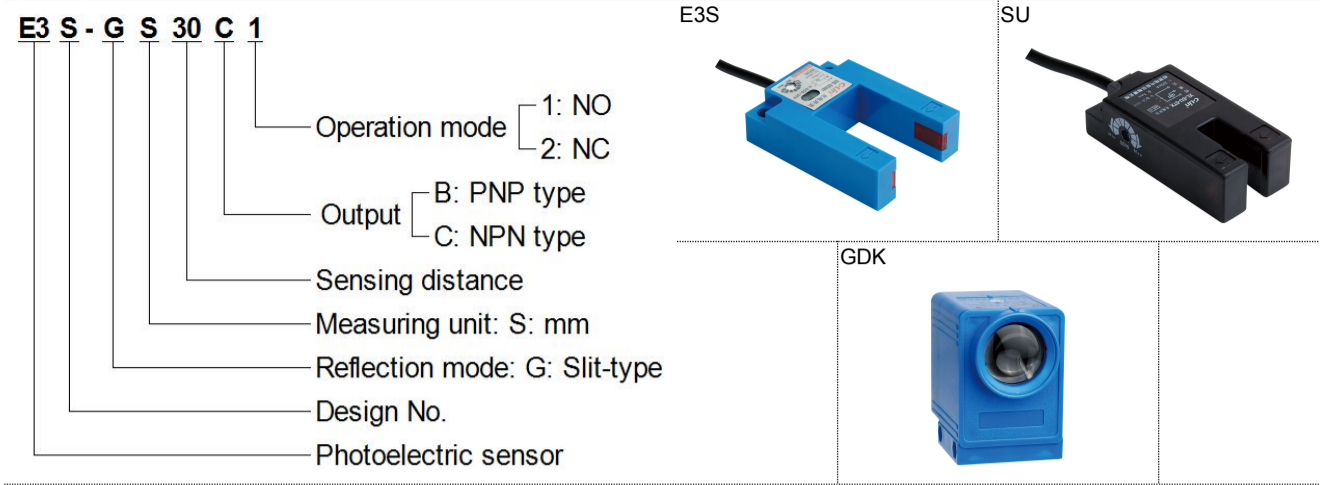


Description



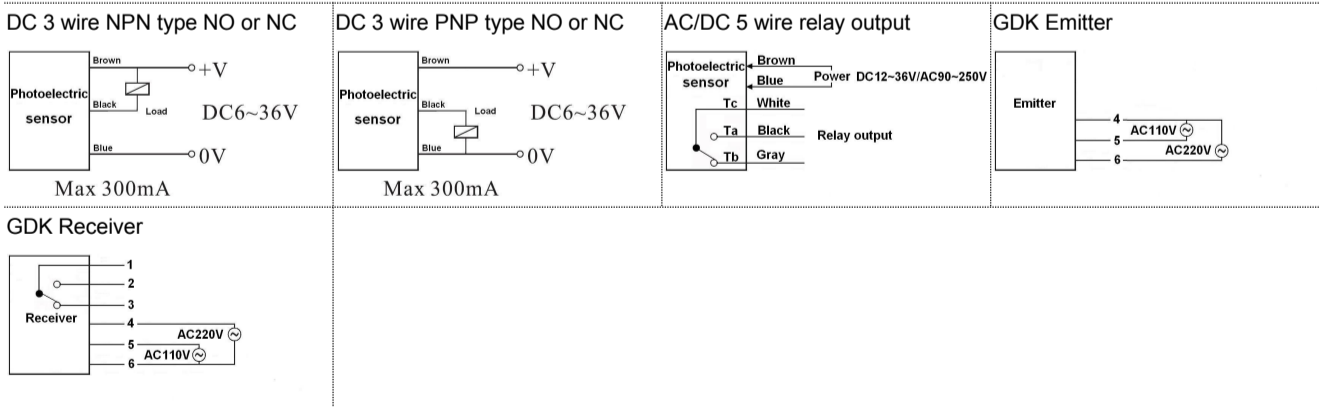
Specification

Power Supply Voltage	DC(NPN, PNP, 2-wire) type: DC6-36V AC/DC type: DC12-240V, AC90-250V 50/60Hz
Differential travel	15% max. of sensing distance
Current consumption	DC(NPN, PNP, 2-wire) type: 8mA/12V, 15mA/24V
Response frequency	DC: 2.5ms max.
Control output	DC(NPN, PNP) type: 100mA max./DC12V, 300mA max./DC24V AC/DC type: 3A
Protection circuits	DC(NPN, PNP, 2-wire) type: Load short-circuit protection
Ambient illumination	Incandescent lamp: 3,000 lx max. Sunlight: 10,000 lx max.
Ambient temperature	-25 to 65°C (with no icing)
Ambient humidity	35% to 95% RH
Temperature influence	±15% max. of sensing distance at 23°C in the temperature range of -25 to 65°C
Voltage influence	±15% max. of sensing distance at rated voltage in the rated voltage ±15% range
Residual voltage	DC(NPN, PNP) type: 1V max.
Insulation resistance	50mΩ min. (at 500VDC)
Dielectric strength	DC/AC(5-wire) type: 2,000VAC, 50/60Hz for 1 minute between current-carrying parts and case
Vibration resistance	Destruction : 10 to 55Hz, 1.5mm double amplitude for 2 hours each in X, Y, and Z directions
Shock resistance	Destruction : 500m/s(about 50g) 10 times each in X, Y, and Z directions
Degree of protection	IP54~IP67
Materials	Heat-resistant ABS, Cast aluminium

Model

Model	E3S-GS	SU	JGD-2	GD-GH050W	GDK
Reflection type	Slit-type	Slit-type	Slit-type	Slit-type	Through-beam
DC type	NPN	NO	E3S-GS30C1	SU-07X	/
		NC	E3S-GS30C2	SU-07XB	/
	PNP	NO	E3S-GS30B1	SU-07XP	/
		NC	E3S-GS30B2	SU-07XPB	/
Relay output	/	/	JGD-2	GD-GH050W	/
AC relay output	/	/	/	/	GDK-5/GDK-10
Sensing distance	<30mm	<7mm	<47mm	<56mm	5m/10m±15%
Sensing object	>11mm Opaque				

Wiring Diagram



Dimension(mm)

