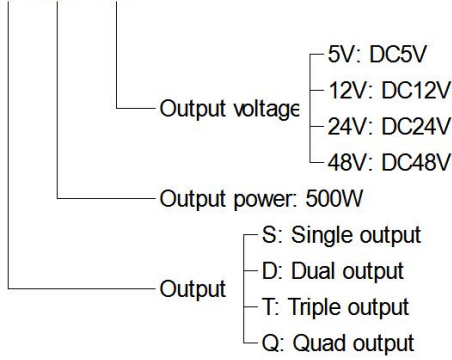


**Description**

S-500W-12V

S-500W



**Specification(Common)**

Input voltage range	AC85~130V/176~264V 50/60Hz
Leakage current	<3.5mA/240VAC
Impact current	Cold start current: 25A/110V, 53A/230V
Overload protection	105%~150%, Type: Current limited, Reset: Automatic
Overvoltage protection	115%~150%
Temperature coefficient	±0.03mA/%℃(0~50℃)
Temperature protection	Cooling fan will work when ERH3≥65~70℃ and will stop when≤55~60℃, Stop work when80~85℃
Start / Up / Keep time	200ms, 100ms, 30ms
Shock resistance	10~500Hz, 2G, 10min
Pressure resistance	Input and output: 1.5KVAC, Input and cover: 1.5KVAC, Output and cover: 0.5KVAC
Isolation resistance	500VDC/100mΩ
Work temperature and humidity	-10℃~+60℃, 10%~90%RH
Storage temperature and humidity	-20℃~+85℃, 10%~95%RH
Safety standards	UL1012
EMC	Some of 15J of FCC, Class B

**Specification(Different)**

	S-500W-12V	S-500W-13.5V	S-500W-15V	S-500W-24V	S-500W-27V	S-500W-48V
DC output	12V	13.5V	15V	24V	27V	48V
Tolerance of output	±1%	±1%	±1%	±1%	±1%	±1%
Rated current	40A	37A	32A	20A	27A	10A
The range of current	0-40A	0-37A	0-32A	0-20A	0-27A	0-10A
mVp-p	240mVp-p	240mVp-p	240mVp-p	240mVp-p	240mVp-p	240mVp-p
Stability of the line	±0.5%	±0.5%	±0.5%	±0.5%	±0.5%	±0.5%
Stability of the load	±5%	±5%	±5%	±5%	±5%	±5%
Power of DC output	480W	480W	480W	480W	480W	480W
Efficiency	84%	84%	83%	85.5%	85.5%	87%
Output adjustment range	±10%	±10%	±10%	±10%	±10%	±10%

**Wiring**



L: Live line of AC input      N: Zero line of AC input      +V: Anode of DC output  
 -V: Cathode of DC output      +S, -S: Signal detection(Don't connect with the load)  
 NC: Null terminal      +V ADJ.: Voltage adjustment of main circuit  
 G R.C.: Remote controlled testing(Work when connect and Standby when disconnect)

**Dimension and Mounting(mm)**

S-500W(185mm×120mm×93mm)

